



# 0080WN1R01B-XX

## Waveguide Attenuator

50-75GHz WR15(UG-385/U) 0.5W  
Waveguide Fixed Attenuator

### Features

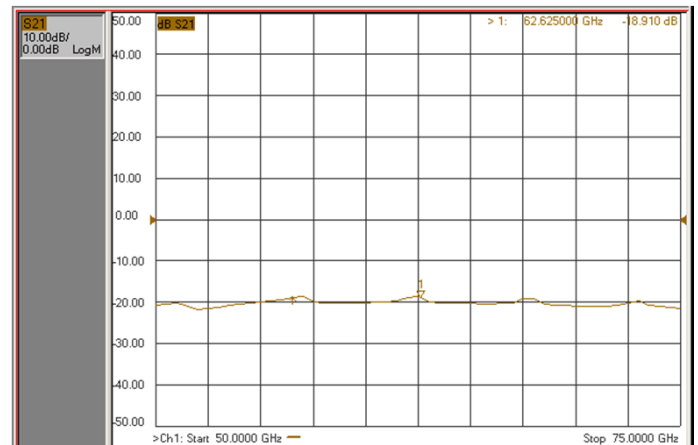
- High Repeatability
- Low VSWR



### Electrical Specifications

Frequency	50-75GHz
Standard Values:	3,6,10,20,30dB
Attenuation Accuracy	3dB:±0.5dB
	6dB:±0.8dB
	10dB:±1.0dB
	20dB:±1.2dB
	30dB:±2.5dB
VSWR	1.2:1(Max.)
Power	0.5W(Avg.)
Waveguide Size	WR15
Waveguide Flange	UG385/U

### Test Report



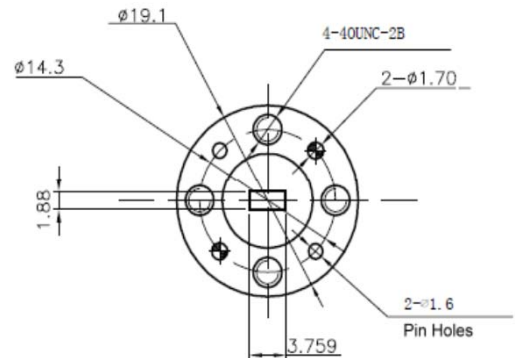
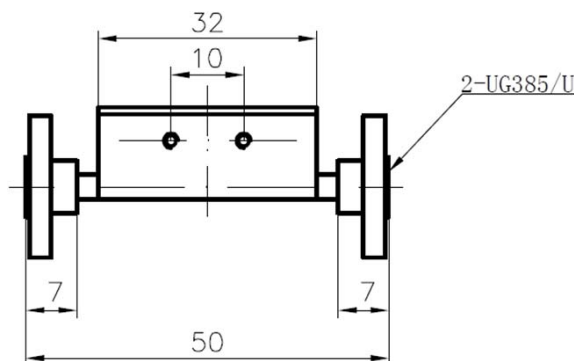
### Mechanical

Durability	500 Cycles
------------	------------

### Material

Material	Inner Finishing	Coating
Brass	Gold	Blue Paint

### Outling Drawing (Unit:mm)



All Specification Changed Without Notification.