



# 016SA0006K711M

## Coaxial Switch

### 6GHz SMA 12VDC SP10T Normally Open TTL D-Sub15 Coaxial Switch+L型鋁板

#### Features

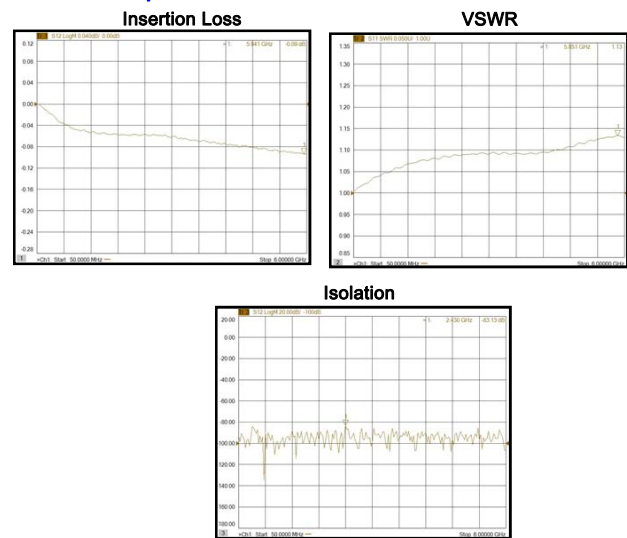
- High Repeatability
- Low VSWR



#### Electrical Specifications

Frequency	DC-6GHz
VSWR	1.2:1(Max.)@DC-3GHz 1.3:1(Max.)@3-6GHz
Insertion Loss	0.2dB(Max.)@DC-3GHz 0.3dB(Max.)@3-6GHz
Isolation	70dB(Min.)@DC-3GHz 65dB(Min.)@3-6GHz
Power Handling	80W CW@DC-3GHz 60W CW@3-6GHz
Impedance	50ohm
Operating Voltage/Current	DC12V/300mA
Operating Life	1,000,000 Cycles (Min.)
Switching Time	20ms
Actuation	Normally Open
Coaxial Connection	SMA Female

#### Test Report



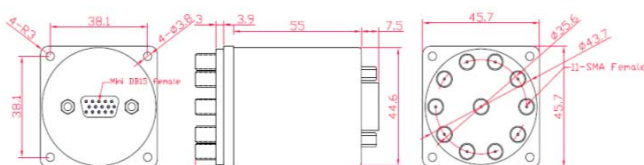
#### Environmental

Operating Temperature	-30°C~65°C
-----------------------	------------

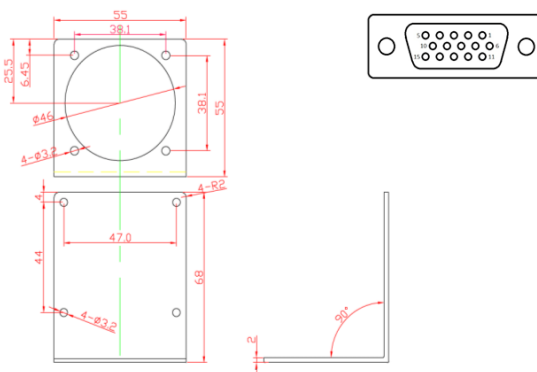
#### Material

Part	Material	Plated
SMA Connector	Brass	Nickel

#### Outling Drawing (Unit:mm)

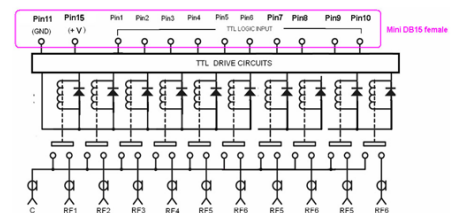


#### 鋁板支架



#### SP10T Schematic show

##### Normally Open with TTL Control



D-Sub 9Pins

- Pin 1-RF1
- Pin 2-RF2
- Pin 3-RF3
- Pin 4-RF4
- Pin 5-RF 5
- Pin 6-RF 6
- Pin 7-RF 7
- Pin 8-RF8
- Pin 9-RF 9
- Pin 10-RF 10
- Pin 11-GND
- Pin 12-Free
- Pin 13-Free
- Pin 14-COM
- Pin 15-DC12V(+)

- 1.DB15 母頭的1-10腳為TTL 邏輯控制輸入端（高電平有效），對應控制RF1-10與C導通，DB15的15腳為輸入控制電壓正極，11腳為控制電壓TTL信號的公共負極（GND）。
- 2.TTL 邏輯電壓範圍：高電平 2.5-5.0V；低電平 0-0.8V；高電平有效，對應高電平輸入的RF通道與C導通。
- 3.任意時間最多只能有一路TTL 輸入高電平，其餘為低電平輸入；所需TTL 電平驅動電流<1mA。
- 4.請提供+5V TTL電壓，+3.3V電壓 不能完全驅動內部電路。

All Specification Changed Without Notification.